

# MV-LDFM-H

## High-Brightness Spot Light

MV-LDFM-H series high-brightness spot lights feature special optical lens structures and high-brightness LED lamp beads. Every high-brightness spot light delivers a circular direct lighting characterized by high brightness, focus, and uniformity. Its compact size makes it suitable for lighting scenarios with limited installation space and high brightness requirements.



### Key Features

- Provides round direct light source to achieve uniform illumination in the center area.
- Adopts a high focusing design with high brightness, surface illuminance (center) > 2000K lux.
- Features a compact size, suitable for extremely narrow installation space.

### Applicable Industry

Contour/dimension measurement, surface defect detection, etc.

### Available Model

- White light: MV-LDFM-H-20-10-W
- Infrared light: MV-LDFM-H-20-5-IR850

### Naming Rule

**MV - LDFM - H - 20 - 10 - W**

**LDFM**: high-brightness spot light

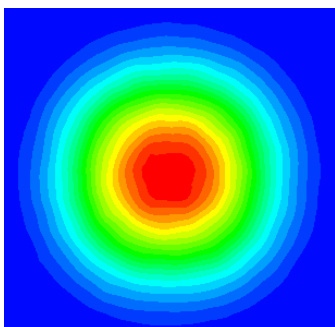
**H**: Hikrobot style series

**20**: optical outlet diameter

**10**: power

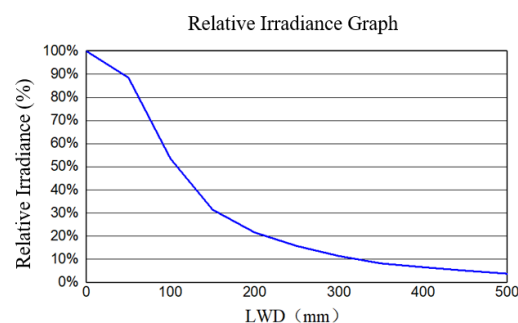
**W**: color

### Illuminance Distribution Image



### Relative Radiation Illuminance

#### Curve under White Light



### Lighting




## Specification

Parameter Model	Performance			Mechanical			Electrical feature			Irradiation	
	Color	Center illuminance	Best working distance	Dimension	Optical outlet diameter	Weight	Power	Input current	Connector type	Safety class	Safety distance
MV-LDFM-H-20-10-W	White	> 400 Klux @ WD = 100 mm	50 mm to 500 mm	75.3 mm × Ø40 mm	Ø18.5 mm	0.1 kg	9 W	3 A	12M-5A	RG2	5.40 m
MV-LDFM-H-20-5-IR850	Infrared	> 150 mW/cm <sup>2</sup> @ WD = 100 mm	50 mm to 500 mm	75.3 mm × Ø40 mm	Ø18.5 mm	0.1 kg	5 W	1.5 A	12M-5A	RG2	5.40 m

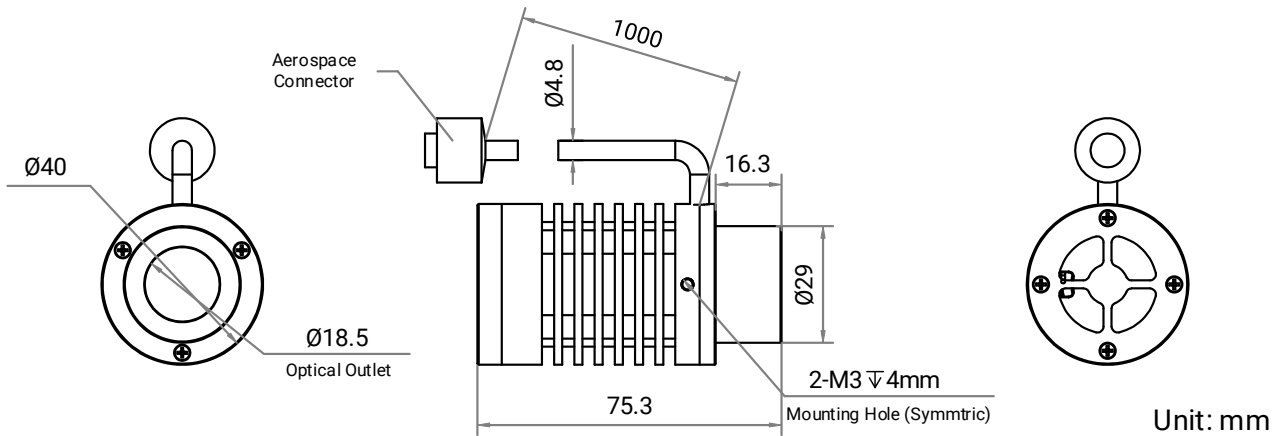
## Other Parameters

Model	MV-LDFM-H
Parameter	High-Brightness Spot Light
<b>Performance</b>	
Drive mode	Constant current
Wavelength	IR850: 850 nm
Color temperature	W: 6000K to 7000K
<b>Mechanical</b>	
Cable length	1 m
Cooling mode	Natural cooling
Temperature	Working temperature: 0 °C to 40 °C (32 °F to 104 °F) Storage temperature: -20 °C to 80°C (-4 °F to 176 °F)
Humidity	20% RH to 90% RH (no condensation)

## Note

Blue Light Hazard Label	Light Source Prevention
	<ul style="list-style-type: none"> <li>Measured at 200 mm distance, some models of this device have a retinal blue light hazard that belongs to the risk group 2 (RG2). Do not stare at an operating light source.</li> <li>Protective measures like wearing safety goggles are required when installing, maintaining and debugging the device.</li> </ul>

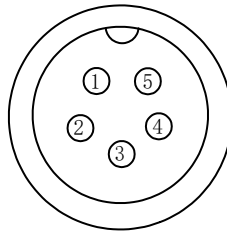
## Dimension



## Accessories

- Digital light controller: MV-LE201-30W5-2FD
- Light source extension cable: MV-LW-H-003-1-12M5A

## 12M-5A Interface Definition



Pin	Color	Signal
1	Blue	Light source power supply -
2	Red	Light source power supply +
3	Pink	Light source type identification signal
4	Red	Fan power supply
5	Black	Fan ground

**HIKROBOT**

Hangzhou Hikrobot Co. Ltd.  
en.hikrobotics.com

© Hangzhou Hikrobot Co., Ltd. All Rights Reserved.

Hangzhou Hikrobot does not tolerate any infringement. Any organization or individual may not imitate or reproduce in whole or in part of the content. The data herein is based on Hikrobot's internal evaluation. Actual data may vary depending on specific configuration and operating condition. The information herein is subject to change without notice. All the content has been checked conscientiously. Nevertheless, Hikrobot shall not be liable to damages resulting from errors, inconsistencies or omissions.